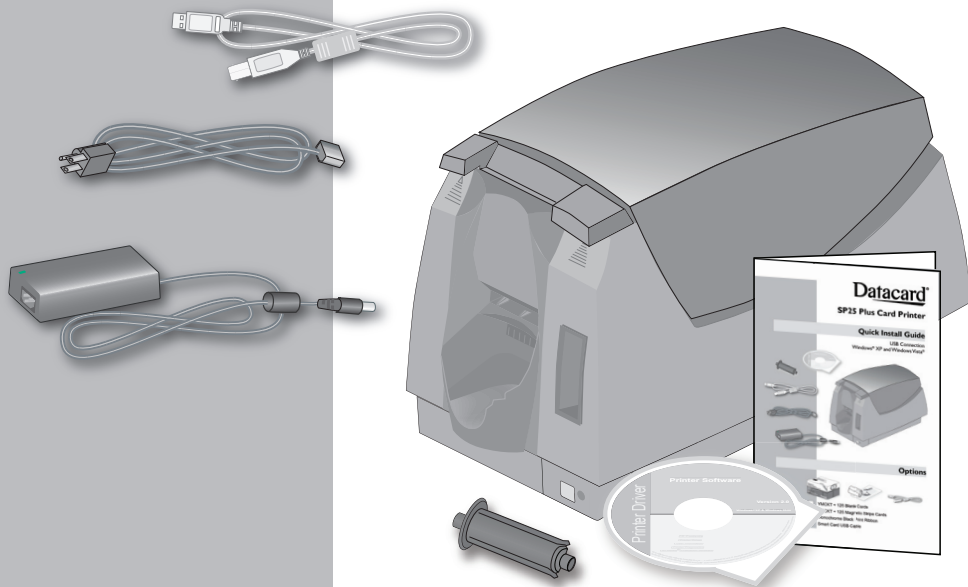


# Datacard®

## SP25 Plus Card Printer

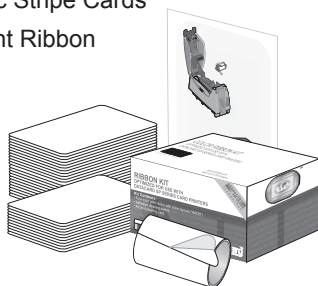
### Quick Install Guide

USB Connection  
Windows® XP and Windows Vista®

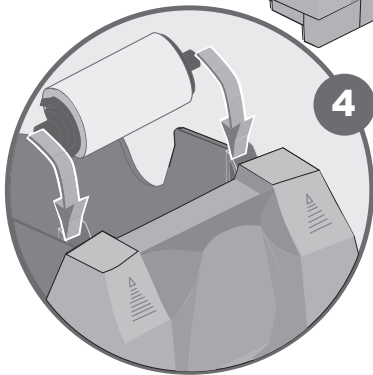
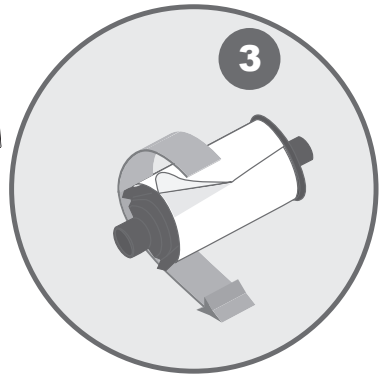
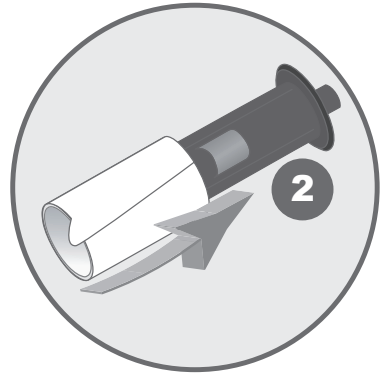
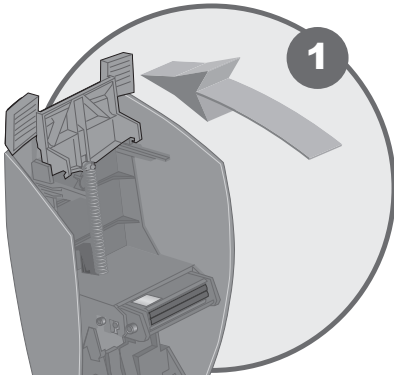


### Options

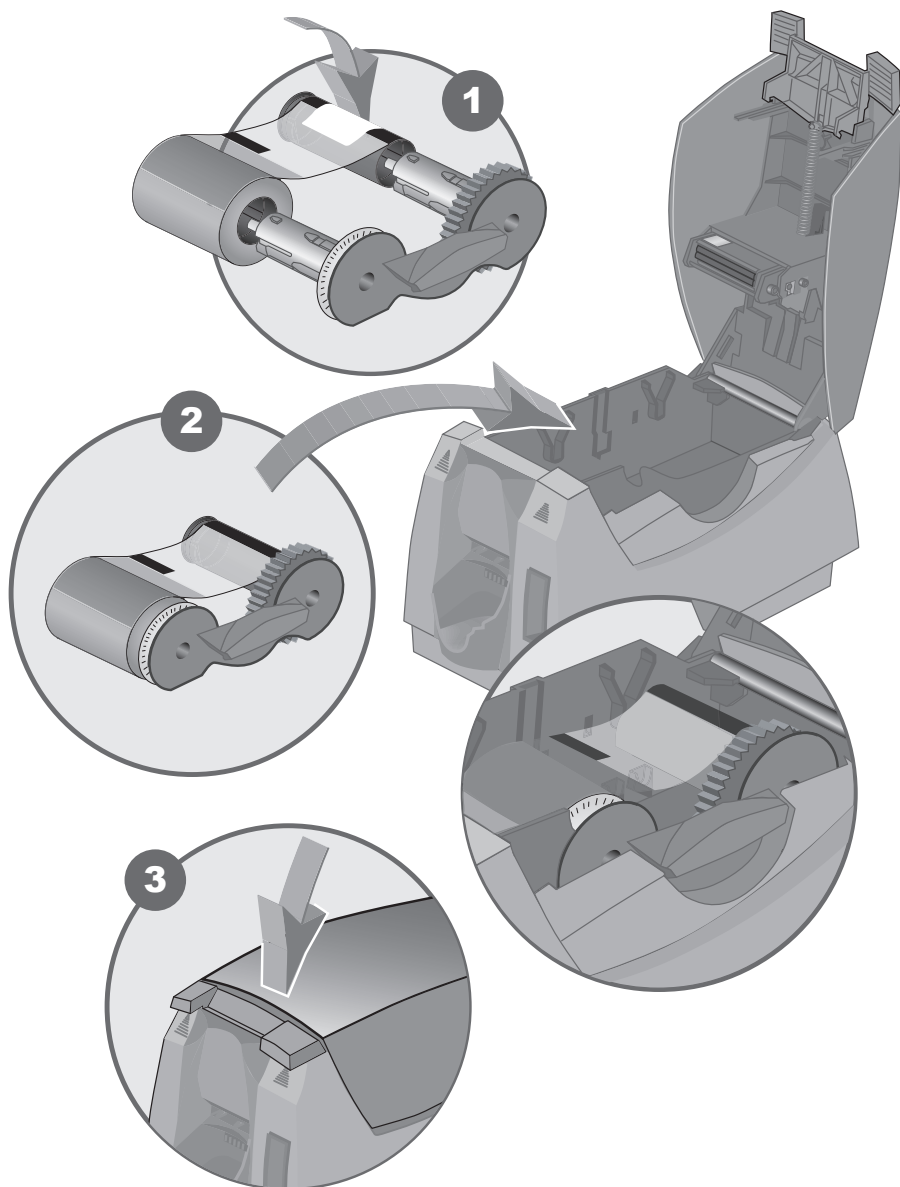
- YMCKT + 125 Blank Cards
- YMCKT + 125 Magnetic Stripe Cards
- Monochrome Black Print Ribbon
- Smart Card
- USB Cable



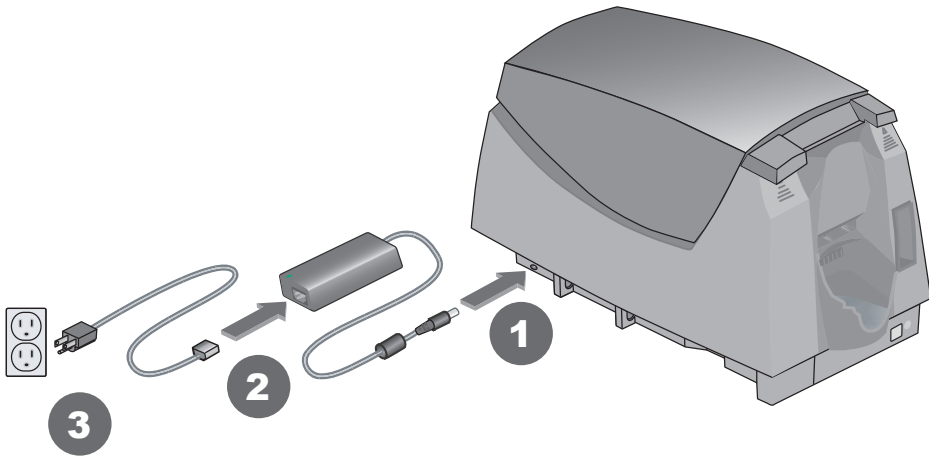
# Step 1: Install the Cleaning Roller

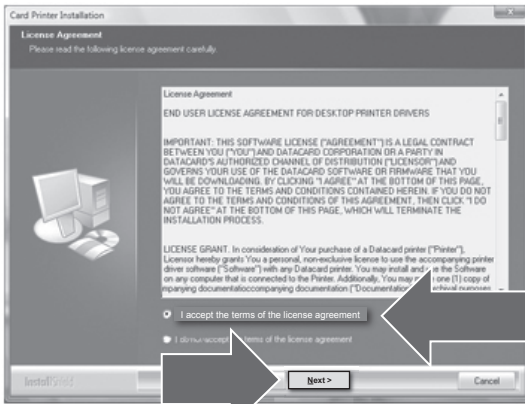


## Step 2: Install the Print Ribbon

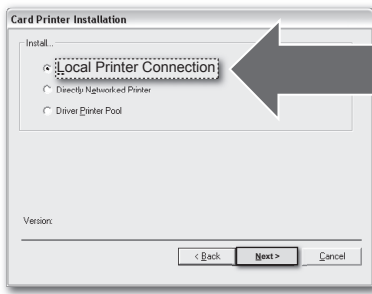


# Step 3: Install the Driver



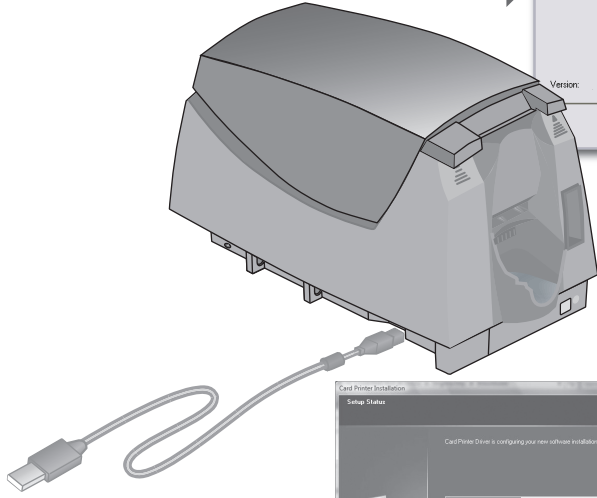


6

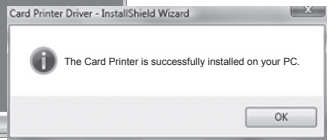
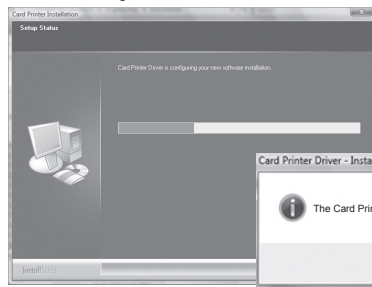


7

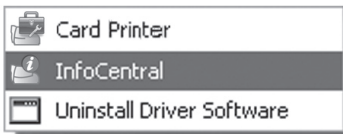
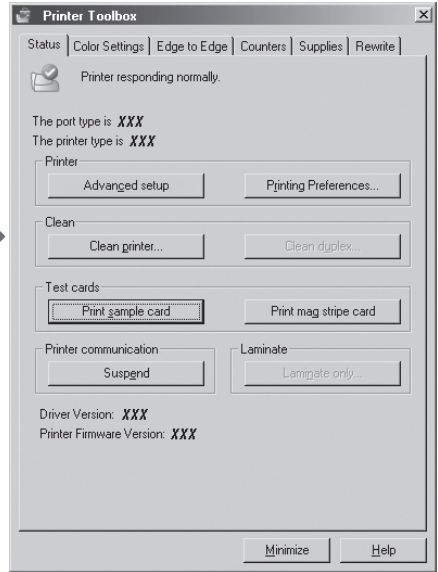
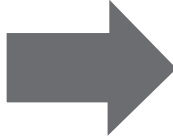
8



To PC

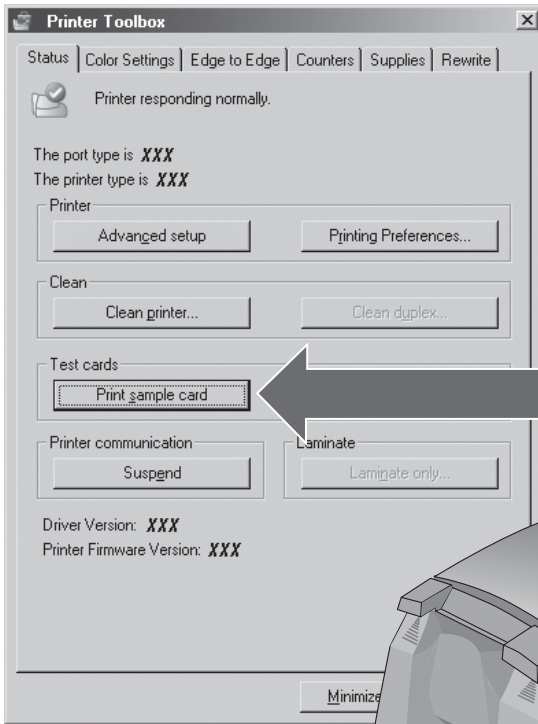


# Step 4: Open the Printer Toolbox

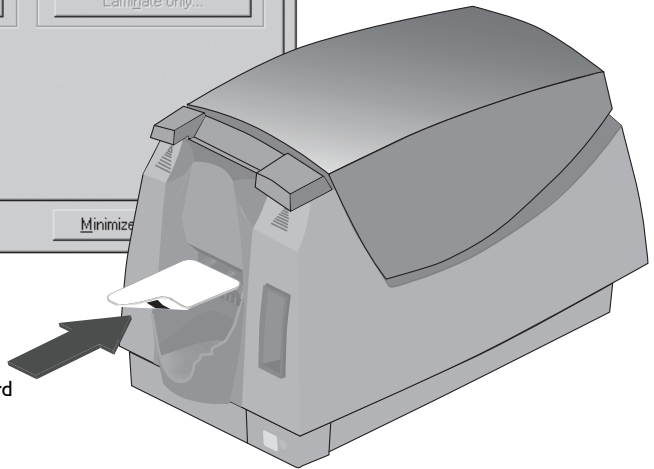


See InfoCentral for detailed information about the printer, including printing rewritable cards, printer maintenance, and printer supplies.

# Step 5: Print a Sample Card



PVC Card



# Datacard®

11111 Bren Road West  
Minnetonka, MN 55343-9015 USA  
952.933.1223 (USA)  
952.933.7971 FAX (USA)

## Legal Notices

Please note and heed the WARNING and CAUTION labels that have been placed on the equipment for your safety. Please do not attempt to operate or repair this equipment without adequate training.

## Liability Statement

This product has been built to the high standards of Datacard Corporation. See InfoCentral for the statement of liability.

## Regulatory Compliance

This product conforms to FCC and regulatory requirements as specified in North America, Europe, and additional countries. See InfoCentral for detailed regulatory compliance information.

Contact Information: